



Wall2Wall



0330 0568 844



sales@wall2wallsecurity.co.uk

Spec Sheet

Insyty LITE

REMOTE MONITORING SOLUTION # 011
IY-LITE-EU



OPERATIONS BENEFITS

- Full Web and iOS/Android dashboards and apps with hierarchy access levels and control.
- Remotely monitor battery data from anywhere in the world across up to 3 battery banks.
- Get the run time of Green and Yellow sensors for monitoring of switches and inputs, solar, load etc. View live location and historical data for all movements of equipment.
- Add simple or complex geofences in the app or cloud to be notified of area moves.
- Provide shared access to your engineers through the app and web dashboard.
- Includes device temperature, signal strength and operator, switches automatically on low signal.
- Add security elements through our trigger wire system or with impact detection.



- ✓ Works with 12V, 24V, 36V and 48V, all battery types (including lithium) allowing for accurate battery health/charging status and voltage.
- ✓ 2G/4G LTE-CAT1 Connectivity across the UK & Europe on all networks, the same as your mobile phone device.
- ✓ £5.00 ex VAT per month for 15 minute updates.
- ✓ GPS allows for constant tracking and location of assets including geofencing.
- ✓ Minimal power consumption of 4mAh @ 12VDC with GPS.
- ✓ Made in the UK with a full UK Support, App and Development Team.

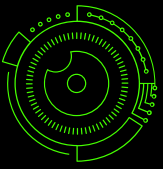
Technical Specifications

Device Functionality

Materials & IP Rating	PC/ABS, A2 Stainless fittings, TPU rubber, IP64
Size & Mounting	110mm x 95mm x 35mm, 4x M4 bolt
Connectivity	2G, 4G CAT1 LTE EU bands, global on request
Operating Power	7 - 70 VDC
Onboard Storage	Up to 3000 buffered sensor readings
Power Draw @ 12VDC	15 minute = 4mAh
Report Interval	15 Minutes Only

Batteries	1x Main Battery & 2x Additional 0-72VDC
Temperature	1x Onboard
Sensor Run Time	YES for both Green & Yellow Wirest
Trigger Wake	YES - White Wire
Vibration/Tilt	TILT - VIB Runtime Only
Impact	1.8G Rating to Trigger
Boot Mode	YES - 90 second White Wire

A fair use policy applies for the White Boot wire, if wired in permanently for faster updates, power consumption will increase and the subscription charges will increase by £4 PCM. Fair use accounts for 5% utilisation.



Wall2Wall



0330 0568 844



sales@wall2wallsecurity.co.uk

Spec Sheet

Insyty LITE

REMOTE MONITORING SOLUTION # 011
IY-LITE-EU

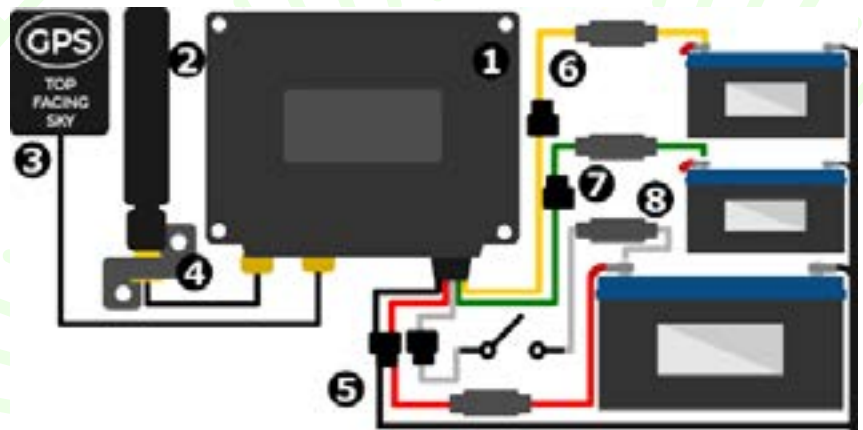


Seamless Web & Mobile Applications

Providing access on any device, custom notifications levels for all connected sensors, battery, temperature, movement, signal etc. Delivered via Email or Push notification and stored in the cloud for life. Get access to 30 days of historical data for assessing asset performance and finding issues across all sensor channels. Data can be easily compared using our compare function.

Wiring Diagram

Recommended wiring layout Yellow/
Green can be switches



1. IY-LITE	2. 4G Antenna	3. GPS Antenna	4. 4G Mount & Pigtail
5. Fused Power Loom INCLUDED	6. Yellow Wire <i>Fuse Loom Not Included</i>	7. Green Wire <i>Fuse Loom Not Included</i>	8. White Wire <i>Fuse Loom Not Included</i>

Where *fuse loom not included* is stated, a non-fused tail is included in the box for connecting your own terminal block and fuse choice. Fused looms can be purchased in the correct colour & lengths 2.5m, 5m, 10m, 20m, 20AWG stranded tinned copper silicone jacket.