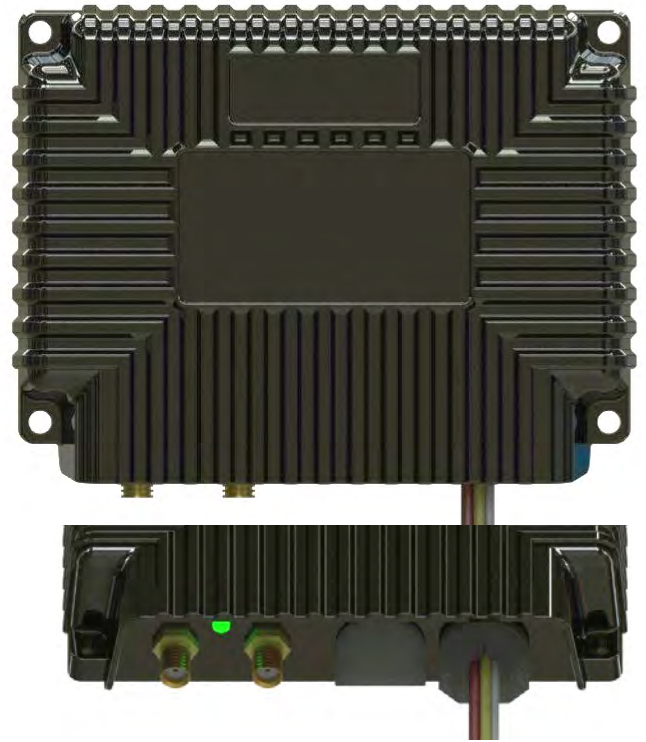


# LITE Specification Sheet

**SKU: IY-LITE**

- ✓ Works with 12V, 24V, 36V and 48V, all battery types (including lithium) allowing for accurate battery charging status and voltage.
- ✓ 2G/4G LTE-CAT1 Connectivity for EU, Regional or Global on all networks, the same as your mobile phone device.
- ✓ 15 minute updates for as little as £4 ex VAT per month. GPS allows for constant tracking and location of assets including geofencing.
- ✓ Minimal power consumption of 4mAh @ 12VDC with GPS.
- ✓ Lifetime data storage and access as standard. Made in the UK with a full UK Support, App and Development Team.



## Features

- Full Web and iOS/Android dashboards and apps with hierarchy access levels and control.
- Remotely monitor battery data from anywhere in the world across up to 3 battery banks.
- Get the run time of Green and Yellow sensors for monitoring of switches and inputs, solar, load etc.
- View live location and historical data for all movements of equipment.
- Add simple or complex geofences in the app or cloud to be notified of area moves.
- Provide shared access to your engineers through the app and web dashboard.
- Includes device temperature, signal strength and operator, switches automatically on low signal.
- Add security elements through our trigger wire system or with impact detection.

## Operations Benefits

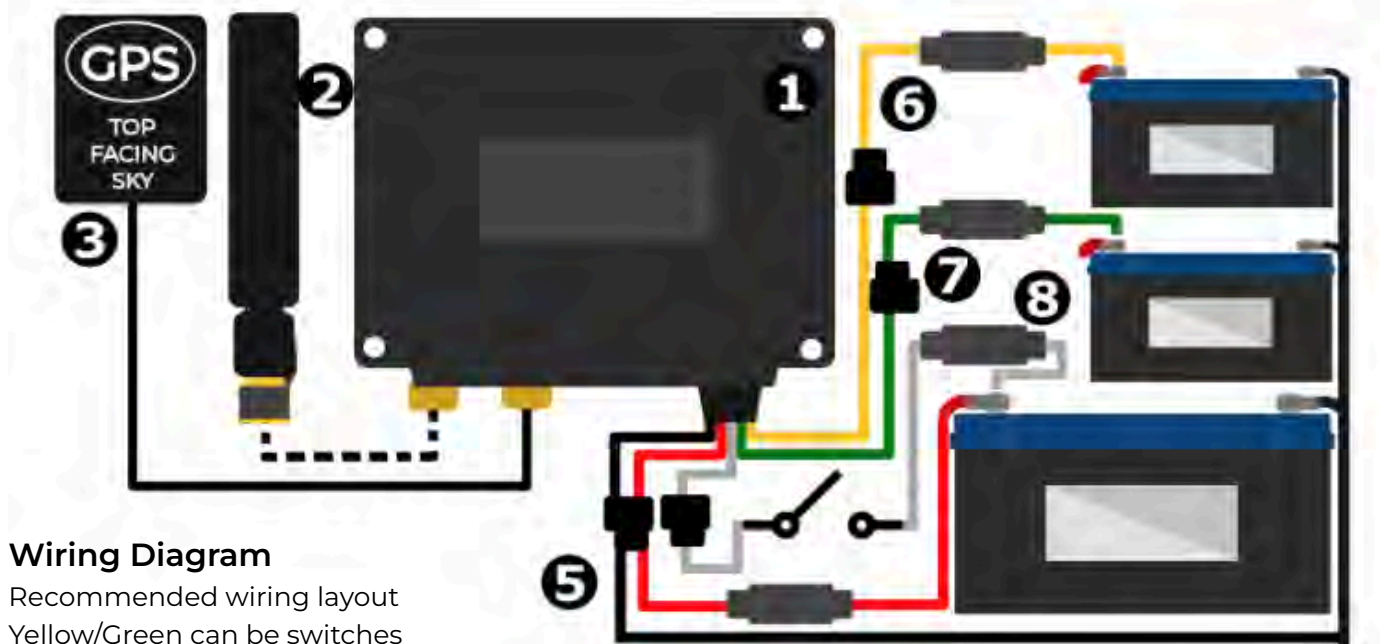
Technical Specifications		Device Functionality	
Materials & IP Rating	PC/ABS, A2 Stainless fittings, TPU rubber, IP64	Batteries	1x Main Battery & 2x Additional 0-72VDC
Size & Mounting	110mm x 95mm x 35mm, 4x M4 bolt	Temperature	1x Onboard
Connectivity	2G, 4G CAT1 LTE EU bands, global on request	Sensor Run Time	YES for both Green & Yellow Wires
Operating Power	7 - 70 VDC	Vibration/Tilt	TILT - VIB Runtime Only
Power Draw @ 12VDC	15 minute = 4mAh	Impact	1.8G Rating to Trigger
Report Interval	15 Minutes Only	Boot Mode	YES - 90 second White Wire

A fair use policy applies for the White Boot wire, if wired in permanently for faster updates, power consumption will increase and the subscription charges will increase by £4 PCM. Fair use accounts for 5% utilisation.



## Seamless Web & Mobile Applications

- ⦿ Access to lifetime data for analysis and comparison, exportable by CSV or used in platform.
- ⦿ Set and control notifications for all data channels, geofencing and tamper, Push and Email delivery.
- ⦿ Create custom dashboards for your device and for a fleet or site of devices.
- ⦿ Unlimited team users, notifications and emails as standard.
- ⦿ Customise all aspects of your platform to create operational dashboards and systems that work for you.
- ⦿ Integrate a range of 3rd party data feeds from the likes of Victron VRM, Efoy, Teltonika and custom.



## Wiring Diagram

Recommended wiring layout  
Yellow/Green can be switches

1. IY-LITE	2. 4G Antenna	3. GPS Antenna	4. Fused Power Loom
5. Yellow Wire <i>Fuse Loom Not Included</i>	6. Green Wire <i>Fuse Loom Not Included</i>	7. White Wire <i>Fuse Loom Not Included</i>	

Where *fuse loom not included* is stated, a non-fused tail is included in the box for connecting your own terminal block and fuse choice. Fused looms can be purchased in the correct colour & lengths 2.5m, 5m, 10m, 20m, 20AWG stranded tinned copper silicone jacket.